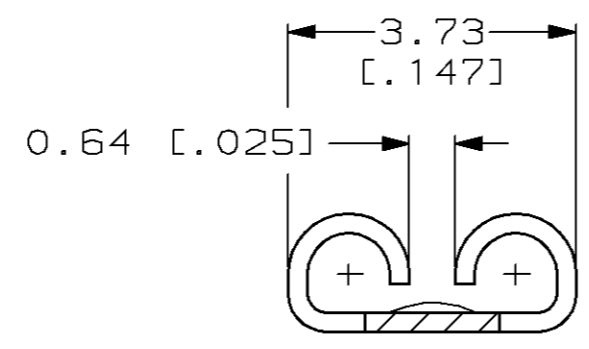
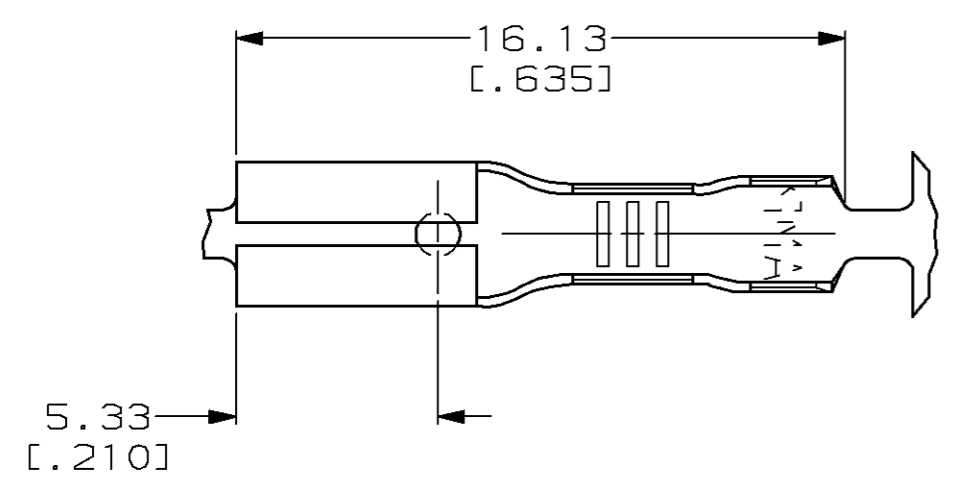


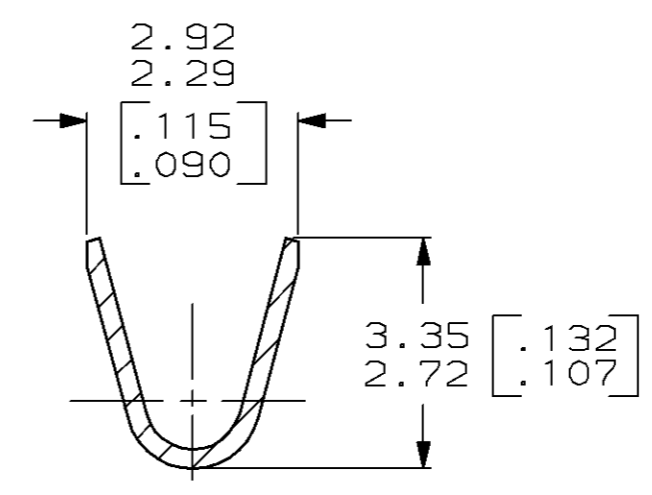
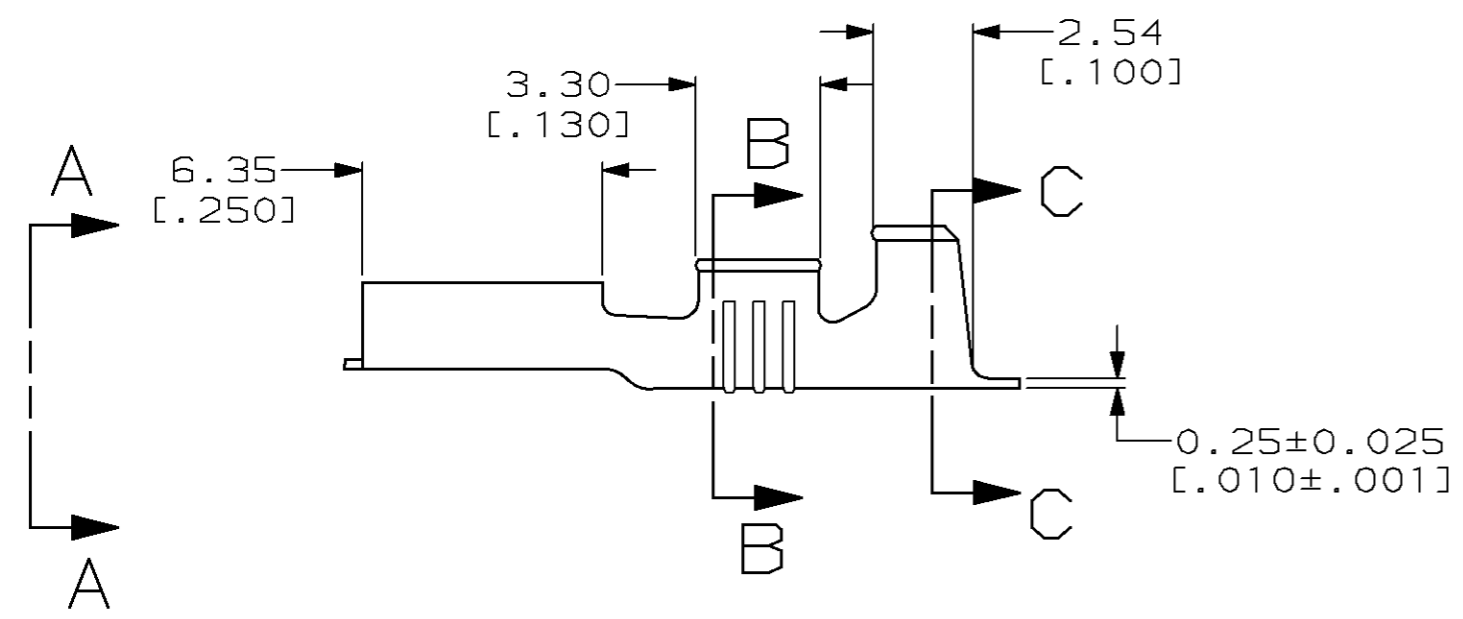
THIS DRAWING IS UNPUBLISHED. RELEASED FOR PUBLICATION, 19 .  
 © COPYRIGHT 19 BY AMP INCORPORATED. ALL RIGHTS RESERVED.

LOC	DIST	REVISIONS					
		P	LTR	DESCRIPTION	DATE	DWN	APVD
AF	50		A	REL PER 0G1A-0348-98	10/2/98	JR	SH

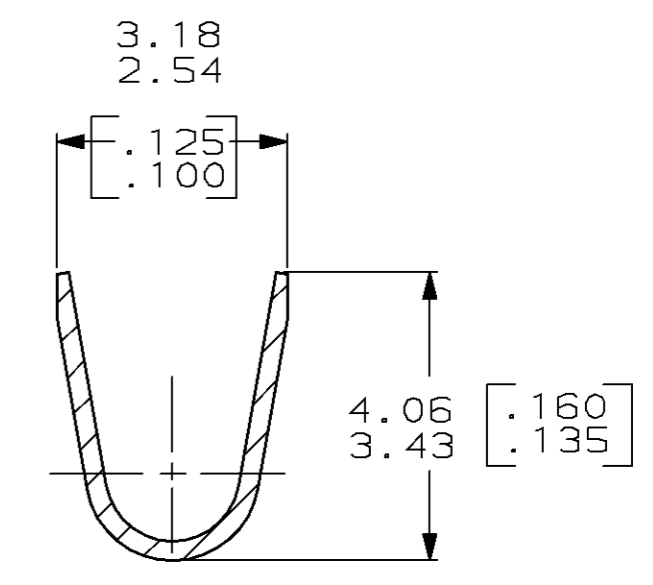
- 1 CONTINUOUS STRIP ON REELS.
- 2 WIRE SIZE [#20-#16] AWG.
- 3 INSULATION RANGE 1.52-2.54 [.060-.100] DIA.
- 4 MATING TAB THK 0.51±0.025 [.020±.001].



VIEW A-A  
SCALE 10:1



SECTION B-B  
SCALE 10:1



SECTION C-C  
SCALE 10:1

1217102-1  
PART NO.

THIS DRAWING IS A CONTROLLED DOCUMENT.		DWN	JR RUTH	7/27/98	AMP Incorporated Harrisburg, PA 17105-3608	NAME		RECEPTACLE, FASTON, 2.79 [.110] SERIES		
DIMENSIONS: MM [INCHES]	TOLERANCES UNLESS SPECIFIED OTHERWISE	CHK	MS FEHER	7/27/98		PRODUCT SPEC	SIZE	CAGE CODE	DRAWING NO	RESTRICTED TO
		APVD	G YETTER	7/27/98						
		APPLICATION SPEC								
MATERIAL	FINISH	WEIGHT								
082 C.R.STEEL	0.00381 [.000150] MIN NICKEL	-	CUSTOMER DRAWING		SCALE	5:1	SHEET	1 OF 1	REV	A